

Product: OFFICE – WAITING – MEETING CHAIRS

Embrasse is a new family of chairs signed by Jorge Pensi, in which you can find both typical office executive chairs and chairs for waiting areas and lounges.

The work chairs, realized with a multilayer frame structure, are realized in an enveloping organic design, broken by taut lines for a high level of comfort. The arm extends behind the backrest giving continuity and uniformity to the lines.

For *Lounge* and *Grand Relax* versions, in the different models of chairs and sofas the structural frame is in multilayer Beech and Poplar wood, supporting the spring system of elastic bands.

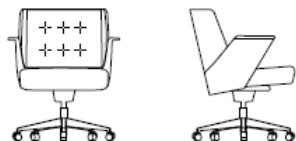
The padding is in differentiated density polyurethane foam to guarantee the correct ergonomic function of the chair.

For *Hall* and *Conversation* version, as for *Moi* and *Elle* chairs, the backrest is in coldpressed foam with metallic insert.

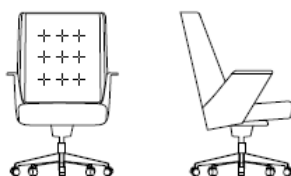
Outstanding attention to the stitching details that enhance the quality of the proposal and identify the manual skills typical of our company.



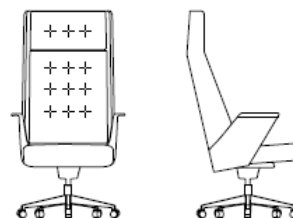
EMBRASSE, office chair with low backrest.



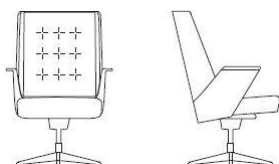
EMBRASSE, office chair with medium backrest.



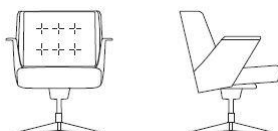
EMBRASSE, office chair with high backrest.



EMBRASSE, meeting chair with medium backrest.



EMBRASSE, waiting/meeting chair with low backrest.



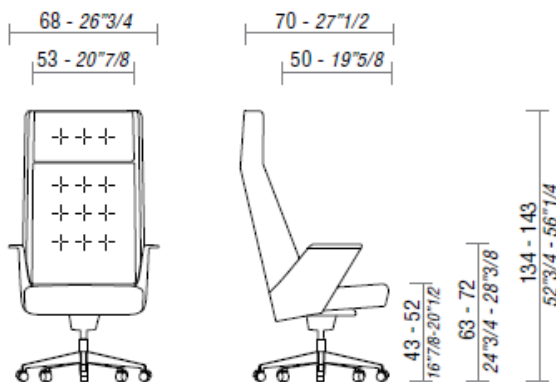
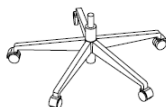
Product: OFFICE CHAIR

TECHNICAL FEATURES

Structure backrest and armrests: the frame structure of backrest and armrests is made of 12 mm thick cross Poplar plywood. The wood is upholstered with a TNT layer coupled with rubber to make the touch softer.

Seat structure: the structural shell is made of 15 mm thick Poplar plywood. Metal brackets attached to the structural panel allow the assembly of the back and the armrests. The padding is a cold mold foam.

Base:
Star base, in polished Aluminium.
 Available also with feet.

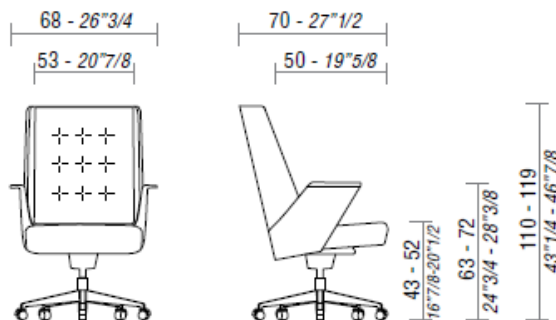


EMBRASSE, office chair with high backrest..

MECHANISMS AND ADJUSTEMENTS

- **Fixed plate;**
- **Harmonic (optional)**, with an oscillating movement and a pleasant swing which increases the comfort;
- **Syncro autofit (optional)** with levers integrated in the seat. This autofit solution adjusts the intensity of the seat return spring according to the weight of the person making easier and more comfortable the use of the mechanism.

For all the types of mechanisms it's possible the **height adjustment** and the seat **inclination adjustment**.



EMBRASSE, office chair with medium backrest..

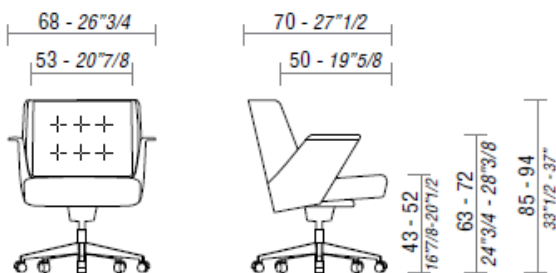
FINISHES

Upholstery: Smart Office - Fabric cat. B, F, G, L, Leather and Extra Leather.

Base and structure: polished Aluminium.

CERTIFICATIONS

The EMBRASSE chairs have exceeded the strictest tests and offer full guarantees on the quality of used materials.



EMBRASSE, office chair with low backrest.



height adjustment

Standard



harmonic mechanisms

Optional



syncro mechanisms and seat inclination adjustment

Optional

Mechanisms and adjustments

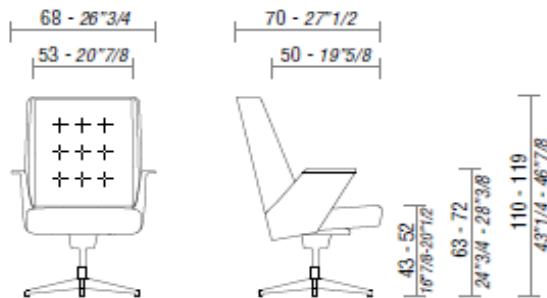
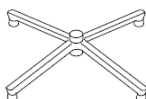
Product: MEETING – WAITING CHAIR

TECHNICAL FEATURES

Structure backrest and armrests: the frame structure of backrest and armrests is made of 12 mm thick cross Poplar plywood. The wood is upholstered with a TNT layer coupled with rubber to make the touch softer.

Seat structure: the structural shell is made of 15 mm thick Poplar plywood. Metal brackets attached to the structural panel allow the assembly of the back and the armrests. The padding is a cold mold foam.

Base:
Four-star base, in polished Aluminium on feet.

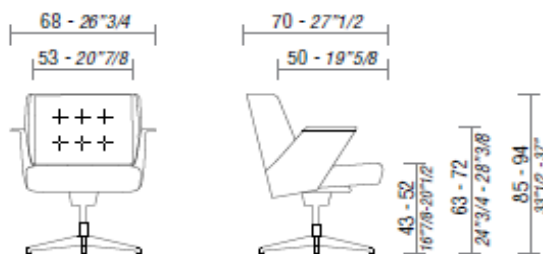


EMBRASSE, meeting chair with medium backrest.

MECHANISMS AND ADJUSTEMENTS

- **Fixed plate;**
- **Fixed plate with retur device (optional);**
- **Harmonic (optional):** with an oscillating movement and a pleasant swing which increases the comfort;
- **Harmonic, with return device (optional).**

For all the types of mechanisms it's possible the **height adjustment** and the seat **inclination adjustment**.



EMBRASSE, waiting/meeting chair with low backrest.

FINISHES

Upholstery: Smart Office - Fabric cat. B, F, G, L, Leather and Extra Leather.

Base and structure: polished Aluminium.

CERTIFICATIONS

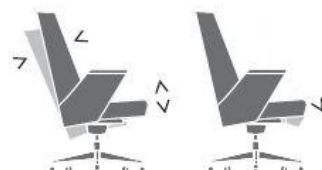
The EMBRASSE chairs have exceeded the strictest tests and offer full guarantees on the quality of used materials.



height adjustment
Standard



harmonic mechanisms
Optional



synchro mechanisms and seat inclination adjustment
Optional

Mechanisms and adjustments